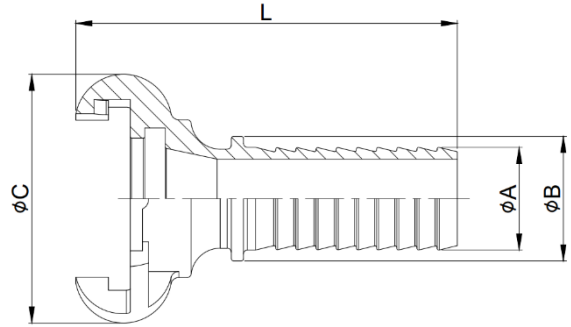
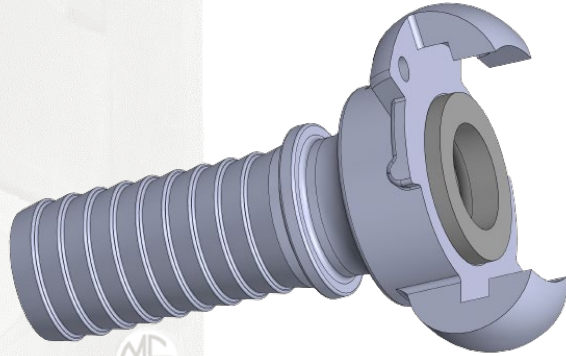




5 Myer Court | Beverley
 South Australia | 5009
 1300 853 250
www.mcc-ltd.com.au
info@mcc-ltd.com.au

A Type Crimped Claw Coupling Hose Tails



A TYPE

SPECIFICATION

MCC Crimp Style Carbon Steel Zinc Plated Claw Coupling Type A c/w patented Buna-N blade gasket.

MATERIAL

#45 GB equivalent to ASTM A915, Grade SC 1045

DIMENSIONAL & SERVICE RATING

| DN (mm) | Part # | "A" | "B" | "C" | "L" | Min Burst Pressure (MPa) | Weight (kg) |
|---------|-----------|------|------|------|------|--------------------------|-------------|
| 19 | MCA020CHE | 19 | 24.5 | 61.5 | 91 | 7 | 0.21 |
| 25.4 | MCA025CHE | 25.4 | 30.8 | 61.5 | 94.5 | 7 | 0.23 |

SURFACE FINISH

Hexavalent Chromium 6 Free Electro-Plated White/Clear

COMPETITOR INTERCHANGE

Dixon Minsup A-Type Fitting
 Alfagomma Type A Claw Coupling

STANDARDS

Suitable for use and compliant with hose assemblies made to:
 AS2554 – Hose and hose assemblies for air
 AS2660 – Hose and hose assemblies – air/water – for underground coal mines

CRIMP FERRULE

| Hose ID | Ferrule # | Suits OD | Hose ID | Ferrule # | Suits OD |
|---------|-----------|-------------|---------|-----------|-------------|
| 19mm | CF08102SP | 25.8-27mm | 25mm | CF10108SP | 35.3-36.5mm |
| 19mm | CF08104SP | 29-30.2mm | 25mm | CF10109SP | 36.9-38.1mm |
| 19mm | CF08105SP | 30.6-31.8mm | 25mm | CF10110SP | 38.5-39.7mm |

