

# Breeze Mini



A lightweight, streamlined hose clamp generally used in small-diameter applications, such as air and fuel lines.

5/16" Band with Arcial Perforations | Three-Piece Construction | SAE Standard J1508 Type M | Diameter Range 7/32" – 2 1/2"

### 3500 MINI

1/4" Plated Hex Screw  
5/16" Band in 300-Series SS  
One-Piece Housing in 300-Series SS

### 3600 MINI

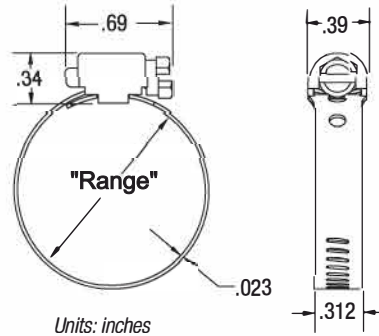
1/4" 410 Stainless Steel Hex Screw  
5/16" Band in 300-Series SS  
One-Piece Housing in 300-Series SS

### 3700 MINI

1/4" 300-Series SS Hex Screw  
5/16" Band in 300-Series SS  
One-Piece Housing in 300-Series SS

### 3800 MINI

1/4" 316 Stainless Steel Hex Screw  
5/16" Band in 316 Stainless Steel  
One-Piece Housing in 316 Stainless Steel



SAE	3500 MINI		3600 MINI		3700 MINI		3800 MINI		inches (A)		mm	
	Brand PN	Global PN	Brand PN	Global PN	Brand PN	Global PN	Brand PN	Global PN	min	max	min	max
4	3504	0360 0102 011	3604	0360 0103 011	3704	0360 0104 011	3804	0360 0105 011	7/32	5/8	6	16
6	3506	0360 0102 016	3606	0360 0103 016	3706	0360 0104 016	3806	0360 0105 016	7/16	25/32	11	20
8	3508	0360 0102 018	3608	0306 0103 018	3708	0360 0104 018	3808	0360 0105 018	1/2	29/32	13	23
10	3510	0360 0102 021	3610	0306 0103 021	3710	0360 0104 021	3810	0360 0105 021	9/16	1 1/16	14	27
12	3512	0360 0102 025	3612	0306 0103 025	3712	0360 0104 025	3812	0360 0105 025	11/16	1 1/4	17	32
16	3516	0360 0102 031	3616	0306 0103 031	3716	0360 0104 031	3816	0360 0105 031	15/16	1 1/2	24	38
20	3520	0360 0102 037	3620	0306 0103 037	3720	0360 0104 037	3820	0360 0105 037	1 3/16	1 3/4	30	44
24	3524	0360 0102 044	3624	0306 0103 044	3724	0360 0104 044	3824	0360 0105 044	1 7/16	2	37	51
28	3528	0360 0102 050	3628	0306 0103 050	3728	0360 0104 050	3828	0360 0105 050	1 11/16	2 1/4	43	57
32	3532	0360 0102 057	3632	0306 0103 057	3732	0360 0104 057	3832	0360 0105 057	1 15/16	2 1/2	49	64

# Breeze Fuel Injection



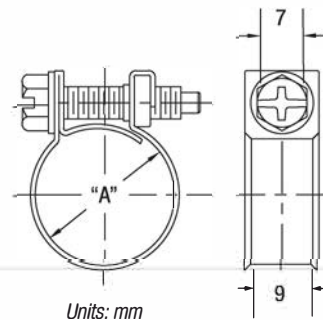
A small-diameter clamp for automotive fuel injection hoses; approved for all OEM applications.

Socket or Screwdriver Adjustable | SAE Standard J1508 Type FE | Diameter Range 10.5mm–15.5mm

### FUEL INJECTION

Zinc-Plated Combi-Slot Hex Head Screw  
9mm Band in Plated Steel  
Clamp Secured Nut

FUEL INJECTION		inches		mm (A)	
Brand PN	Global PN	min	max	min	max
FI 4 PB	0363 0000 012	0.41	0.49	10.5	12.5
FI 5 PB	0363 0000 014	0.49	0.57	12.5	14.5
FI 6 PB	0363 0000 015	0.53	0.61	13.5	15.5



# Breeze Power-Seal®



A general purpose automotive and industrial worm-drive hose clamp with arcial perforations for added strength.

1/2" Band with Arcial Perforations | Quadra-Lock Construction | SAE Standard J1508 Type F | Diameter Range 7/16" – 7"

## 62000 POWER-SEAL

5/16" Plated Hex Screw  
1/2" Band in 300-Series SS  
Two-Piece Housing in 300-Series SS

## 64000 POWER-SEAL

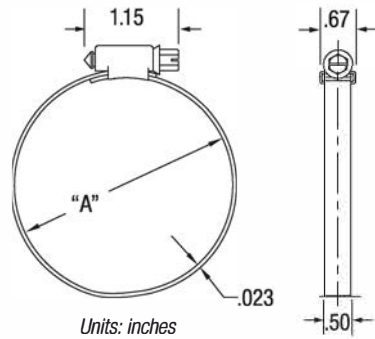
5/16" 410 Stainless Steel Hex Screw  
1/2" Band in 300-Series SS  
Two-Piece Housing in 300-Series SS

## 63000 POWER-SEAL

5/16" 300-Series SS Hex Screw  
1/2" Band in 300-Series SS  
Two-Piece Housing in 300-Series SS

## 66000 POWER-SEAL

5/16" 316 Stainless Steel Hex Screw  
1/2" Band in 316 Stainless Steel  
Two-Piece Housing in 316 Stainless Steel



SAE	62000 POWER-SEAL		64000 POWER-SEAL		63000 POWER-SEAL		66000 POWER-SEAL		inches (A)		mm	
	Brand PN	Global PN	Brand PN	Global PN	Brand PN	Global PN	Brand PN	Global PN	min	max	min	max
6	62006H	0361 0114 016	64006H	0361 0116016	63006H	0361 0115016	66006H	03610117016	7/16	25/32	11	20
8	62008H	0361 0114 018	64008H	0361 0116018	63008H	0361 0115018	66008H	0361 0117018	1/2	29/32	13	23
10	62010H	0361 0114 021	64010H	0361 0116 021	63010H	0361 0115 021	66010H	0361 0117021	9/16	1 1/16	14	27
12	62012H	0361 0114 025	64012H	0361 0116 025	63012H	0361 0115 025	66012H	0361 0117025	11/16	1 1/4	17	32
16	62016H	0361 0114 030	64016H	0361 0116 030	63016H	0361 0115030	66016H	0361 0117 030	13/16	1 1/2	21	38
20	62020H	0361 0114 033	64020H	0361 0116 033	63020H	0361 0115033	66020H	0361 0117 033	13/16	1 3/4	21	44
24	62024H	0361 0114 039	64024H	0361 0116 039	63024H	0361 0115 039	66024H	0361 0117 039	1 1/16	2	27	51
28	62028H	0361 0114 045	64028H	0361 0116 045	63028H	0361 0115 045	66028H	0361 0117045	1 5/16	2 1/4	33	57
32	62032H	0361 0114 052	64032H	0361 0116 052	63032H	0361 0115052	66032H	0361 0117 052	1 9/16	2 1/2	40	64
36	62036H	0361 0114 058	64036H	0361 0116 058	63036H	0361 0115058	66036H	0361 0117 058	1 13/16	2 3/4	46	70
40	62040H	0361 0114 053	64040H	0361 0116 053	63040H	0361 0115 053	66040H	0361 0117064	2 1/16	3	52	76
44	62044H	0361 0114 059	64044H	0361 0116 059	63044H	0361 0115 059	66044H	0361 0117071	2 5/16	3 1/4	59	83
48	62048H	0361 0114 065	64048H	0361 0116 065	63048H	0361 0115065	66048H	0361 0117 077	2 9/16	3 1/2	65	89
52	62052H	0361 0114 072	64052H	0361 0116 072	63052H	0361 0115072	66052H	0361 0117 083	2 13/16	3 3/4	71	95
56	62056H	0361 0114 083	64056H	0361 0116 083	63056H	0361 0115 083	66056H	0361 0117090	3 1/16	4	78	102
60	62060H	0361 0114 084	64060H	0361 0116 084	63060H	0361 0115 084	66060H	0361 0117096	3 5/16	4 1/4	84	108
64	62064H	0361 0114 091	64064H	0361 0116 091	63064H	0361 0115091	66064H	0361 1097 102	3 9/16	4 1/2	91	114
72	62072H	0361 0114 088	64072H	0361 0116 088	63072H	0361 0115088	66072H	0361 0117 088	1 7/8	5	48	127
80	62080H	03610114 102	64080H	0361 0116 102	63080H	0361 0115 102	66080H 5P	0361 1093 127	2 1/2	5 1/2	64	140
88	62088H	0361 0114116	64088H	0361 0116 116	63088H	03610115 116	66088H 5P	0361 0117 116	3 1/8	6	79	152
96	62096H	0361 0114 129	64096H	0361 0116 129	63096H	0361 0115129	66096H 5P	0361 1090 152	3 5/8	6 1/2	92	165
104	62104H	0361 0114 141	64104H	0361 0116 142	63104H	0361 0115 142	66104H 5P	0361 0117 142	4 1/8	7	105	178