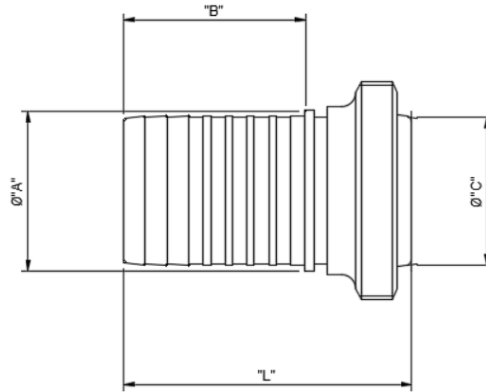
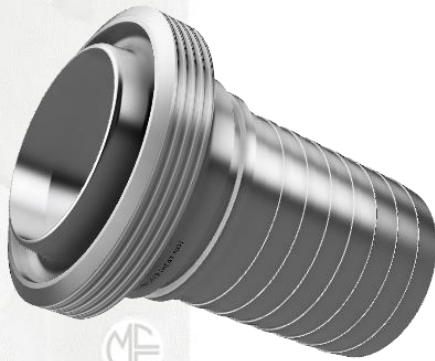




5 Myer Court | Beverley  
 South Australia | 5009  
 1300 853 250  
[www.mcc-ltd.com.au](http://www.mcc-ltd.com.au)  
[info@mcc-ltd.com.au](mailto:info@mcc-ltd.com.au)

## RJT (BSM) External Crimp Hose Tails



### SPECIFICATION

BS 4825-3 Stainless steel hose fitting for the food industry and other hygienic applications – Part 3: Specification for clamp type couplings

### MATERIAL

AISI 316/316L Austenitic Stainless Steel

### DIMENSIONAL & SERVICE RATING

| Tube OD (mm) | Part #     | "A" | "B" | "L" | Service Rating (PSI) | Weight (kg) |
|--------------|------------|-----|-----|-----|----------------------|-------------|
| 25.4         | 1RJTMSECR  | 29  | 34  | 69  | 145                  | 0.20        |
| 38.1         | 15RJTMSECR | 42  | 50  | 83  | 145                  | 0.34        |
| 50.8         | 2RJTMSECR  | 55  | 63  | 94  | 145                  | 0.60        |
| 63.5         | 25RJTMSECR | 68  | 58  | 91  | 145                  | 0.61        |
| 76.2         | 3RJTMSECR  | 84  | 72  | 109 | 145                  | 0.87        |
| 101.6        | 4RJTMSECR  | 109 | 70  | 110 | 145                  | 1.18        |

### SURFACE FINISH

Ra 0.8µm or finer on wetted areas including contact and sealing surfaces, Ra 1.6µm or finer on non-wetted areas.

### MANUFACTURER'S CERTIFICATE

Material Certificate to BS EN 10204 3.1 available upon request at time of order.

