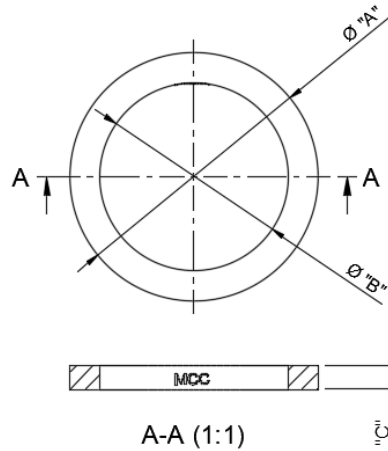




## MCC Camlock Gasket - Nitrile



### FEATURES & BENEFITS

Nitrile Buna rubber, or NBR, offers excellent resistance to oil and fuel, making it ideal for automotive and industrial use. It is durable, with high tensile strength and tear resistance. It withstands abrasion, weathering, and heat, making it suitable for harsh environments. NBR provides reliable sealing and is commonly used in gaskets, O-rings, seals, and hoses.

### SPECIFICATION

MCC Camlock Gasket (Size) NBR interchangeable with MIL A-A-59326

### MATERIAL

Nitrile Buna

### DIMENSIONAL & SERVICE RATING

DN (mm)	Part #	"A"	"B"	"C"	Minimum Gasket Compression	Weight (kg)
20	75B	34.93	22.23	5.54	0.025 (Ref)	0.004
25	100B	39.70	27.00	6.35	0.025 (Ref)	0.006
32	125B	49.23	34.52	6.35	0.025 (Ref)	0.008
40	150B	55.58	41.28	6.35	0.025 (Ref)	0.009
50	200B	66.68	50.80	6.35	0.025 (Ref)	0.013
65	250B	79.38	60.33	6.35	0.025 (Ref)	0.018
80	300B	94.46	76.20	6.35	0.025 (Ref)	0.022
100	400B	123.83	101.60	6.35	0.025 (Ref)	0.035
150	600B	179.40	152.40	6.35	0.025 (Ref)	0.062

### TOLERANCE

Dimensions are in mm; tolerance for gaskets shall be +/- 0.38 for two place decimals, unless otherwise specified.

### TEMPERATURE RATING

Typical temperature rating for NBR -35°C to +120°C (-30°F to +250°F)

### STANDARDS

Dimensionally interchangeable with MIL A-A-59326

