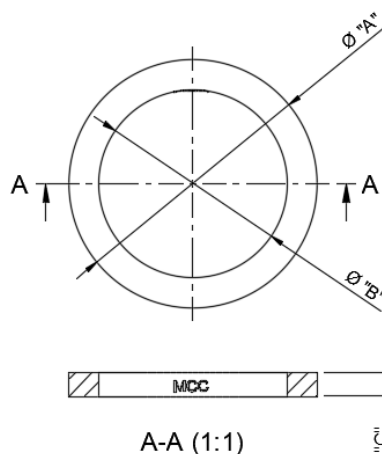




5 Myer Court | Beverley
 South Australia | 5009
 1300 853 250
www.mcc-ltd.com.au
info@mcc-ltd.com.au

MCC Camlock Gasket - FKM



FEATURES & BENEFITS

FKM rubber, or Fluoroelastomer, offers exceptional resistance to high temperatures, chemicals, fuels, and oils. It excels in sealing applications and exhibits durability, even in harsh environments. FKM rubber is ideal for aerospace, automotive, and oil and gas industries. Its resistance to ozone and aging and its low compression set and high tensile strength make it a reliable choice for demanding conditions requiring chemical resistance and high-temperature performance.

SPECIFICATION

MCC Camlock Gasket (Size) FKM interchangeable with MIL A-A-59326

MATERIAL

Fluoroelastomer (FKM)

DIMENSIONAL & SERVICE RATING

DN (mm)	Part #	"A"	"B"	"C"	Minimum Gasket Compression	Weight (kg)
20	75B	34.93	22.23	5.54	0.025 (Ref)	0.004
25	100B	39.70	27.00	6.35	0.025 (Ref)	0.006
32	125B	49.23	34.52	6.35	0.025 (Ref)	0.008
40	150B	55.58	41.28	6.35	0.025 (Ref)	0.009
50	200B	66.68	50.80	6.35	0.025 (Ref)	0.013
65	250B	79.38	60.33	6.35	0.025 (Ref)	0.018
80	300B	94.46	76.20	6.35	0.025 (Ref)	0.022
100	400B	123.83	101.60	6.35	0.025 (Ref)	0.035
150	600B	179.40	152.40	6.35	0.025 (Ref)	0.062

TOLERANCE

Dimensions are in mm; tolerance for gaskets shall be +/- 0.38 for two place decimals, unless otherwise specified.

TEMPERATURE RATING

The working temperature range is considered to be -26°C to +205°/230°C (-15°F to +400°/440°F)

STANDARDS

Dimensionally interchangeable with MIL A-A-59326

