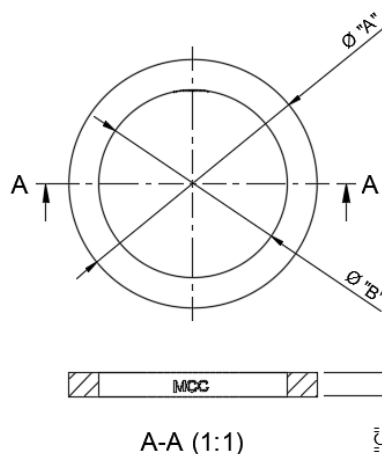




5 Myer Court | Beverley  
 South Australia | 5009  
 1300 853 250  
[www.mcc-ltd.com.au](http://www.mcc-ltd.com.au)  
[info@mcc-ltd.com.au](mailto:info@mcc-ltd.com.au)

## MCC Camlock Gasket - EPDM



### FEATURES & BENEFITS

EPDM rubber, or Ethylene Propylene Diene Monomer, offers excellent durability and weather resistance. It is highly versatile, with applications in automotive, construction, and electrical industries. EPDM rubber withstands UV radiation, ozone, aging, and has good resistance to water, steam, chemicals, and acids. Its flexibility at low temperatures and wide temperature range make it a reliable choice for sealing and insulation needs.

### SPECIFICATION

MCC Camlock Gasket (Size) EPDM interchangeable with MIL A-A-59326

### MATERIAL

Ethylene Propylene Diene Monomer (EPDM)

### DIMENSIONAL & SERVICE RATING

DN (mm)	Part #	"A"	"B"	"C"	Minimum Gasket Compression	Weight (kg)
20	75B	34.93	22.23	5.54	0.025 (Ref)	0.004
25	100B	39.70	27.00	6.35	0.025 (Ref)	0.006
32	125B	49.23	34.52	6.35	0.025 (Ref)	0.008
40	150B	55.58	41.28	6.35	0.025 (Ref)	0.009
50	200B	66.68	50.80	6.35	0.025 (Ref)	0.013
65	250B	79.38	60.33	6.35	0.025 (Ref)	0.018
80	300B	94.46	76.20	6.35	0.025 (Ref)	0.022
100	400B	123.83	101.60	6.35	0.025 (Ref)	0.035
150	600B	179.40	152.40	6.35	0.025 (Ref)	0.062

### TOLERANCE

Dimensions are in mm; tolerance for gaskets shall be +/- 0.38 for two place decimals, unless otherwise specified.

### TEMPERATURE RATING

The working temperature range is considered to be -50°C to +120°/150°C (-60°F to +250°/300°F)

### STANDARDS

Dimensionally interchangeable with MIL A-A-59326

